



# CAT<sup>®</sup> ADVANSYS<sup>™</sup> TIPS AND ADAPTERS

## THE NEXT GENERATION HAMMERLESS G.E.T. FOR MAXIMUM PRODUCTIVITY.

Optimize the performance of your 950 – 994 wheel loader or 315 – 390 hydraulic excavator with Cat Advansys G.E.T. The newest and most robust Cat system delivers the highest productivity and quickest installation and removal times.

### SPECIAL OFFERS

## ***FREE ADAPTERS***

With the purchase of a set of Cat Advansys<sup>™</sup> Tips when you convert from a different Tip-Adapter system on your 950 – 994 & 315 – 390.

## ***Non-Cat Solution***

Purchase a set of Cat Advansys<sup>™</sup> Tips and a Cat Advansys Base Edge Assembly to convert from a different Tip-Adapter system on your Non-Cat machine and receive Free Adapters + 50% off the base edge. Check with your Fabick Cat Product Support Sales Representative for qualifying details.

TO LEARN MORE, ask your Product Support Sales Representative, or contact Fabick Cat today: 800.845.9188, email [contact@fabickcat.com](mailto:contact@fabickcat.com), or visit [www.fabickcat.com](http://www.fabickcat.com).

**FABICK** **CAT**

# CAT® ADVANSYS™ TIPS AND ADAPTERS COMPARISON CHARTS



Heavy Abrasion

A.R.M.  
OPTION  
AVAILABLE



Heavy Penetration



Heavy Duty

A.R.M.  
OPTION  
AVAILABLE



General Purpose  
Loader



Coal



Penetration Plus



Penetration

A.R.M.  
OPTION  
AVAILABLE



↑  
ABRASION RESISTANCE

↓  
PENETRATION

Heavy Duty

A.R.M.  
OPTION  
AVAILABLE



General Purpose  
Excavator



Wide



Penetration Plus



Penetration

A.R.M.  
OPTION  
AVAILABLE



Spike



Double Spike



## WHEEL LOADER CUSTOMERS WILL SEE THESE ADDITIONAL BENEFITS:

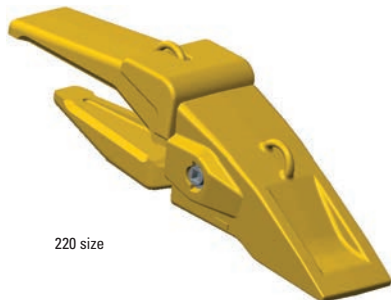


220 Heavy Abrasion Tip  
72% Available Wear Material

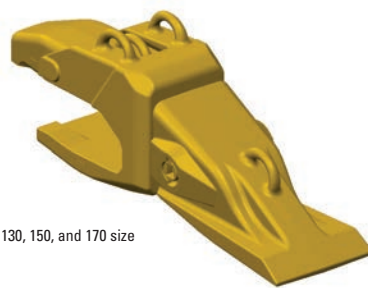


220 Heavy Penetration Tip  
60% Available Wear Material

- New Heavy Abrasion and Heavy Penetration tips have longer usable life because they stay sharper through the full life of the entire tip



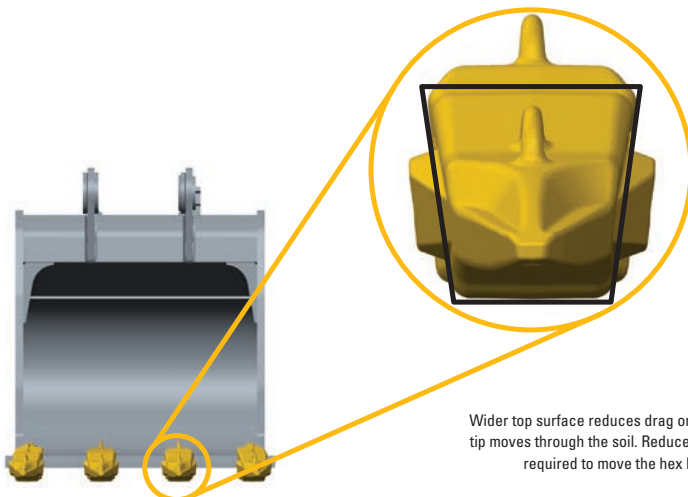
220 size



130, 150, and 170 size

- Top covers available for double strap adapters (*only for the 220 size*) and full adapter covers available for high abrasion flush mount adapter (*only for 130, 150, and 170 size*)

## HYDRAULIC EXCAVATOR CUSTOMERS WILL SEE THESE ADDITIONAL BENEFITS:



Wider top surface reduces drag on the tip and adapter side as the tip moves through the soil. Reduced side drag results in less force required to move the hex bucket through the soil.

- Up to a 15% productivity increase in trenching applications due to improved tip and adapter geometry
- Exclusive performance features such as tapered tip sides reduce drag and increase productivity
- Increased fuel efficiency

## SIMPLIFIED, HAMMERLESS INSTALLATION AND REMOVAL:

Unlocked



1/2 Turn Locks Tip On



- Half turn of retention locks and unlocks the CapSure retention
- Only a 1/2" or 3/4" breaker bar is required to change the tips
- Retention components come installed in tips (one part number to order)

*"The hammerless technology is a huge benefit to us. Easy – almost no downtime. One wrench, from 180 degrees pops it right off. Safety, you know, you're not hammering. You're not having to pry on anything. Advansys is a good fit"*

– Chad Varney, equipment manager  
Superior Ready Mix

**TIPS** last up to

**10 – 30%**

LONGER

**ADAPTERS**

have up to

**10 – 30%**

LONGER LIFE  
than K or J series

**TIP CHANGE  
DOWNTIME** is

reduced by

**50 – 75%**

## THE RIGHT SOLUTION BUILT FOR THE TOUGHEST JOBS

	Cat Advansys (CA) Tip Size	Machine Size	Base Edge Thickness/Angle
Medium Wheel Loaders	CA 80	950 – 962	25mm or 38mm / 22.5
	CA 90	966 – 972	32mm or 40mm / 22.5
	CA 100	980 – 982	38mm or 45mm / 22.5
	CA 110	986 – 988	45mm or 51mm / 22.5
	CA 130	988 – 990	50mm or 63.5mm / 22.5
	CA 150	990 – 992	63.5mm or 70mm / 22.5
	CA 170	993	76mm or 90mm / 22.5
	CA 200	994	100mm / 22.5 or 100mm / 35
	CA 220	994k	100mm / 22.5
Hydraulic Excavators	CA 80	315 – 322	36mm / 22.5
	CA 90	320 – 335	40mm / 22.5
	CA 100	324 – 336	45mm / 22.5
	CA 110	324 – 349	60mm / 22.5
	CA 130	336 – 349	70mm / 22.5
	CA 150	349 – 374	80mm / 22.5
	CA 170	374 – 390	90mm / 35
	CA 200	390	100mm / 35

**LET'S DO THE WORK.™**

© 2019 Caterpillar • All Rights Reserved • Printed in USA  
CAT, CATERPILLAR, LET'S DO THE WORK, their respective logos, "Caterpillar Yellow," the "Power Edge" and Cat "Modern Hex" trade dress as well as corporate and product identity used herein, are trademarks of Caterpillar and may not be used without permission.

**FABICK** **CAT**